

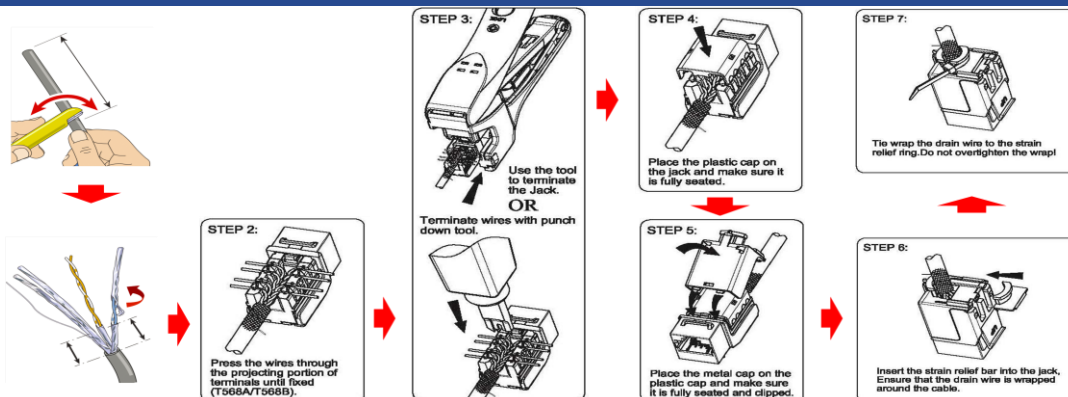
Bergen Cabling Keystone Termination Tool



Information

Bergen Cabling Keystone Termination Tool is a press tool for termination of the Bergen Cabling DNV approved Maritime LAN Cat.6A 10 Gigabit connector. The tool also cut the wires in the same operation.

Termination guide STP (extract)



Ordering info

Part No.	Part Name
BC-14-201	Bergen Cabling Keystone Termination Tool