

S03 1RU Black Sliding Patch Panel - 24 Position LC/SC/E2000 up to 48 fibers



Description

This innovative, robust 1RU sliding patch panel. This panel has been designed to accept up to 48 fibers. These panels include an internal mounting plate to install the adapters giving a reduction in the bend radius of the exiting patch cords also giving a more aesthetically pleasing installation. With the ability to use a full array of adapter types offering a flexible solution to the end-user, enabling them to incorporate a multi-functional panel that allows easy access during installation or re-work with no disturbance of the existing cable or fibers. In the addition to the array of adapters, the panel also offers multiple cable entry solutions, up to 4 standard cable entry points for, loose tube, tight buffer, pre-terminated, and steel tape armored cable. Each panel has integrated strength member tie positions also with the additional removable plate at the rear of the panel allows the installation of steel tape armored cable.

Features and Benefits

- Up to 48 fibers in 1RU
- 24 Adaptor positions
- Individually labeled ports
- Accepts loose tube, distribution and pre terminated cables
- Fits standard 19"□
- Multiple Adaptor options available
- Recessed Adaptor positioning
- 45° open working angle
- RoHS and REACH SvHC



Applications

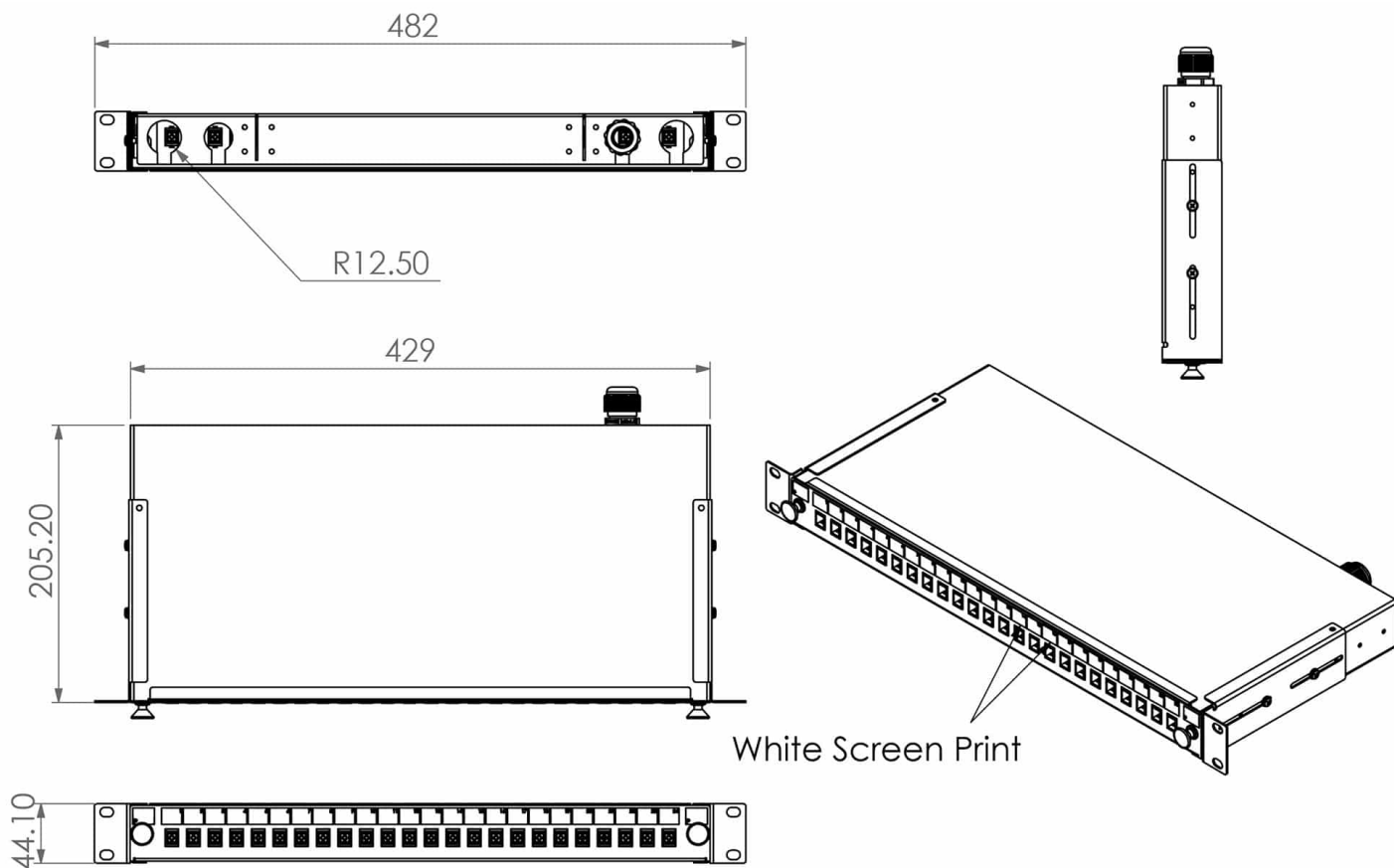
- Data centers, premise installations, telecommunication networks
- Data communication
- Ethernet, Fiber Channel, ATM, LAN, MAN and WAN
- Indoor applications

Specifications

Element	Characteristic
U Size	1RU (44.4mm)
Width	482mm
Depth	205mm
Net weight	2.5 kgs
Packaged weight	3 kgs
Packaged dimensions	530mm W X 55mm H x 260mm D
IP rating	IP20
Suitable for Adaptor type	SC Simplex / LC Duplex / E2000
Number of ports	24
Cable Entry 20mm	2
Cable entry 25mm	2
Mounting Adjustment range	50mm
Material	Cold- rolled steel
Material thickness	1.2mm
Material coating	Powder coating
Colour	RAL 9004
Operating temperature	-40°C to +50°C
Designed in accordance with	TIA/EIA 568.C, ISO/IEC 11801, EN50173, IEC60304, IEC61754,
Materials compliant to	RoHS, Reach/SVHC



Technical Drawing



Ordering Information

Code	Fiber Type		Code	Fiber Count		Code	Adaptor/Connector 1		Code
F	S	SM Adaptors	PE	24	24F	BX	A	LC	X-03AD
	M	MM Adaptors		48	48F (LC Duplex)		B	LCA	
	V	MM EV adaptors					D	SC	
							E	SCA	
							L	E2	
							M	E2A	
PART NUMBER		DESCRIPTION						LEGACY PART NUMBER	
FMPE24BXDX-03AD		Sliding Panel Black 1RU 24 Port (SCS/LCD) 24F SC MM (Adaptors)						S03SCM24	
FSPE24BXDX-03AD		Sliding Panel Black 1RU 24 Port (SCS/LCD) 24F SC SM (Adaptors)						S03SCS24	
FSPE24BXEX-03AD		Sliding Panel Black 1RU 24 Port (SCS/LCD) 24F SCA SM (Adaptors)						S03SCA24	
FMPE24BXLX-03AD		Sliding Panel Black 1RU 24 Port (SCS/LCD) 24F E2 MM (Adaptors)						S03E2M24	
FSPE24BXLX-03AD		Sliding Panel Black 1RU 24 Port (SCS/LCD) 24F E2 SM (Adaptors)						S03E2S24	
FSPE24BXMx-03AD		Sliding Panel Black 1RU 24 Port (SCS/LCD) 24F E2A SM (Adaptors)						S03E2A24	
FMPE48BXAX-03AD		Sliding Panel Black 1RU 24 Port (SCS/LCD) 48F LC MM (Adaptors)						S03LCM24	
FVPE48BXAX-03AD		Sliding Panel Black 1RU 24 Port (SCS/LCD) 48F LC MM EV (Adaptors)						S03LCV24	



S03 1RU Black Sliding Patch Panel - 24 Position LC/SC/E2000 up to 48 fibers
 Datasheet

PART NUMBER	DESCRIPTION	LEGACY PART NUMBER
FSPE48BXAX-03AD	Sliding Panel Black 1RU 24 Port (SCS/LCD) 48F LC SM (Adaptors)	S03LCS24
FSPE48BXX-03AD	Sliding Panel Black 1RU 24 Port (SCS/LCD) 48F LCA SM (Adaptors)	S03LCA24
FXPEXXBXXX-03AA	AFLHS Sliding Panel 1U 24Port (SCS/LCD) BK Loaded with BLANKS & CBL MGMT	S03XXX00/B/M
FXPEXXBXXX-03XX	AFLHS Sliding Panel 1U 24Port (SCS/LCD) BK Unloaded	S03XXX00

Regional Availability

EMEA

+44 1908 441 144
 emeasales@aflhyperscale.com

Additional Images

