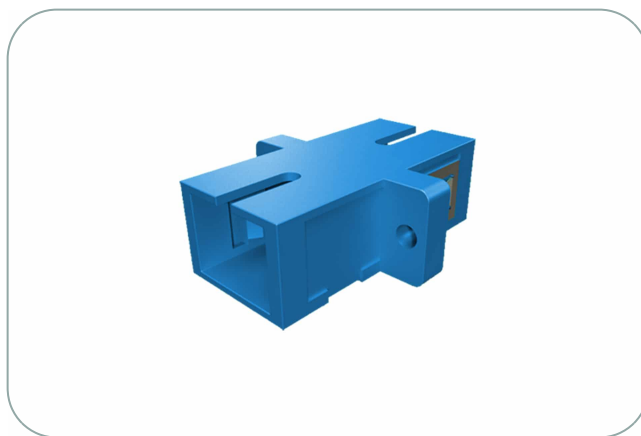


SC Adapters

Our range of high quality SC adapters have high precision alignment sleeves for reliability and improved reconnectability. For single mode and multimode applications a ceramic sleeve is supplied. The housing is available in different colors with options for flange or flangeless body, metal clips or inbuilt clips. A protective cap is provided at each end of the adapter with the same color as the adapter.



Features

- Complies with IEC 61754-4 standard
- High precision alignment sleeve
- All adapters supplied with zirconia ceramic sleeve
- Low insertion loss and improved reconnectability
- REACH SvHC compliant
- Materials compliant to RoHS2
- Available in simplex and duplex adapters
- Available in Flanged and Flangeless options
- Also available are SC simplex adapters with a shutter

Applications

- Data centers
- Premise installations
- Telecommunication networks
- Ethernet, Fiber channel, ATM, LAN, MAN and WAN

Specifications

	Ceramic	Conformance
Insertion Loss	< 0.1 dB	IEC 61300-3-4
Mating Durability	500	IEC 61300-2-2
Receptacle Retention Force	2 N - 5.9 N	IEC 61754-4
Operating Temperature	-25 to +70 °C, 12 cycles	IEC 61300-2-22

Ordering Information

MODE	TYPE	COLOUR	SIMPLEX	DUPLEX
SM	APC	GREEN	SCAPCUSGREEN	SCAPCUDGREEN
SM	PC	BLUE	SCUSZR02	SCUDZR02
MM (OM1/OM2)	PC	BEIGE	SCSMPXBEIGE	SCDPXBEIGE
MM (OM3/OM4)	PC	AQUA	SCSMPXAQUA	SCDPXAQUA
MM (OM4)	PC	ERIKA VIOLET	SCSMPXEV	SCDPXEV

For Flangeless adapters add "/FL" to the part number - for example: SCUSZR02/FL